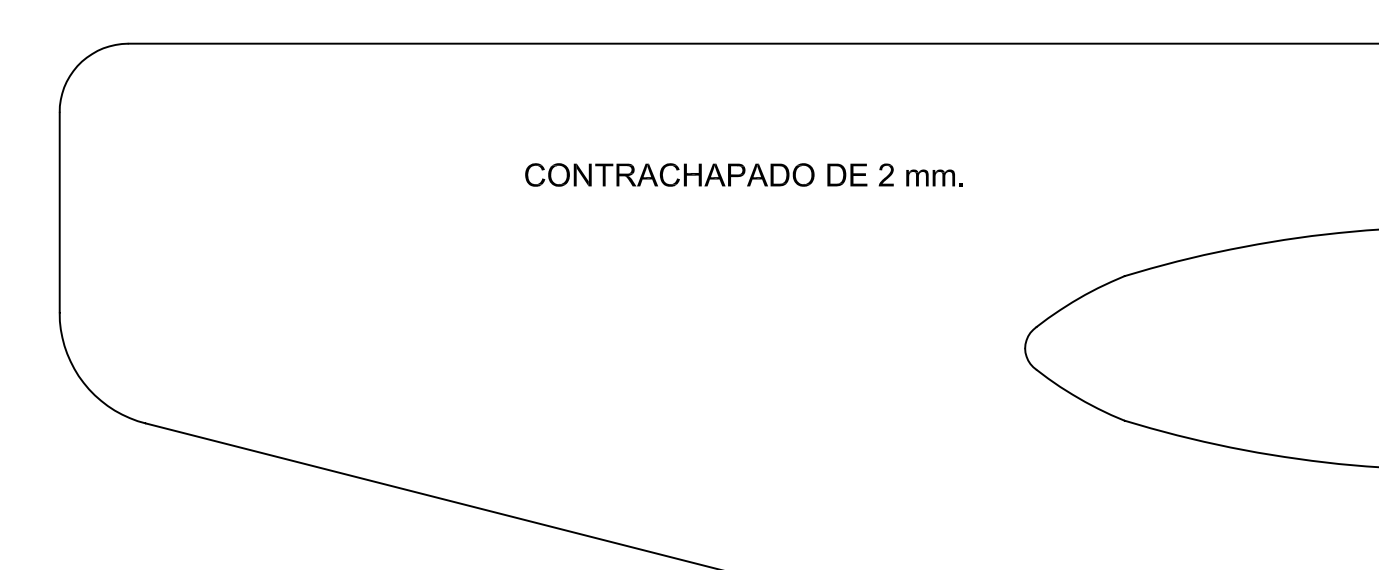
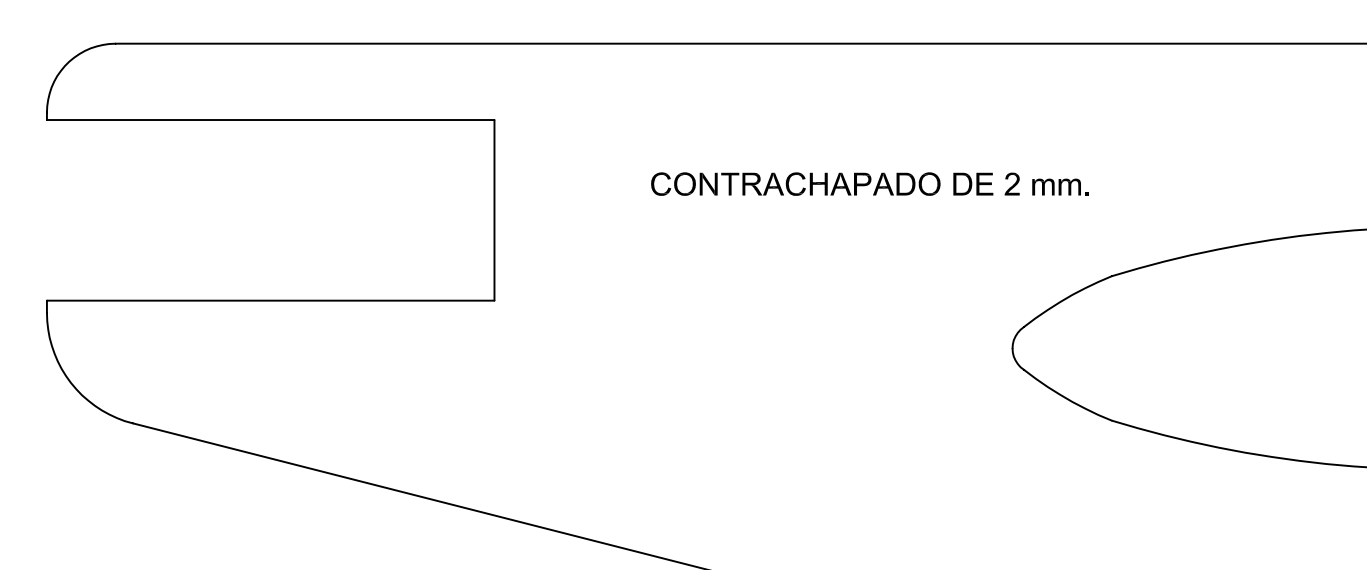
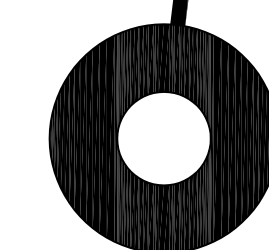
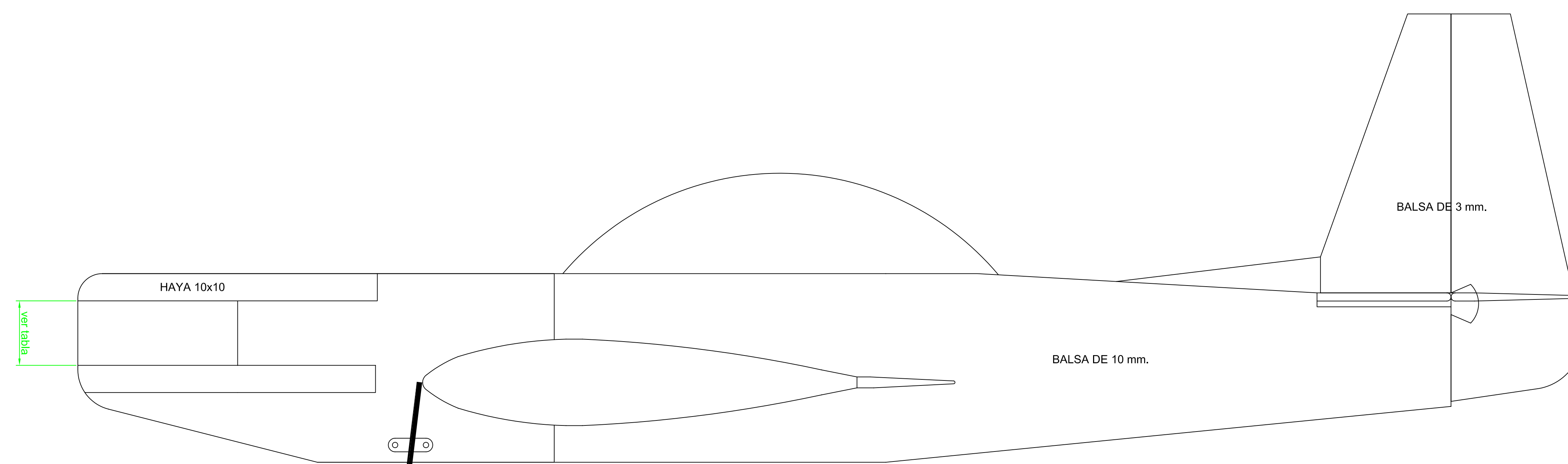
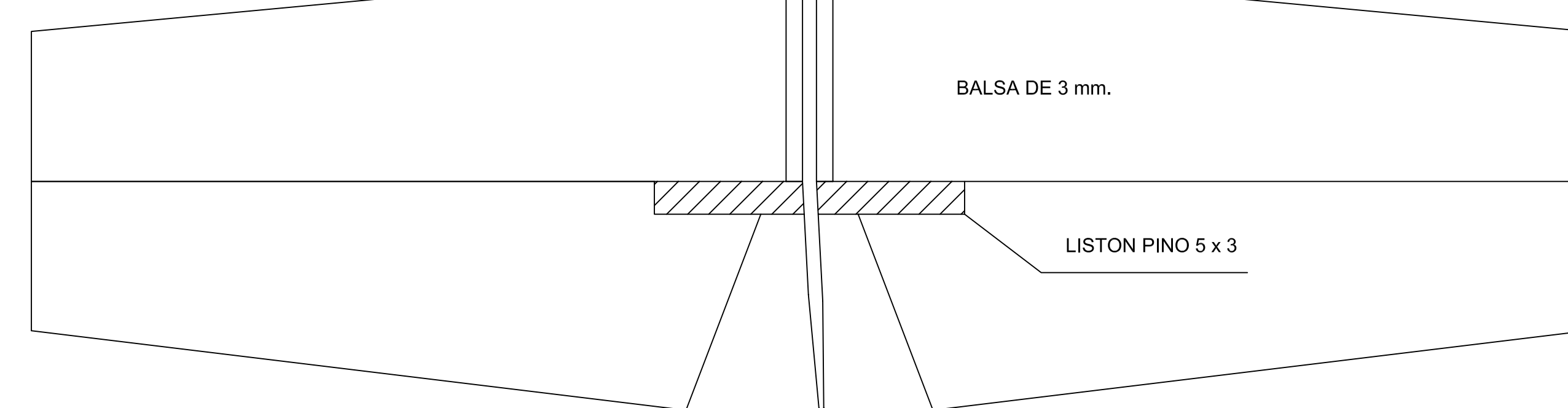
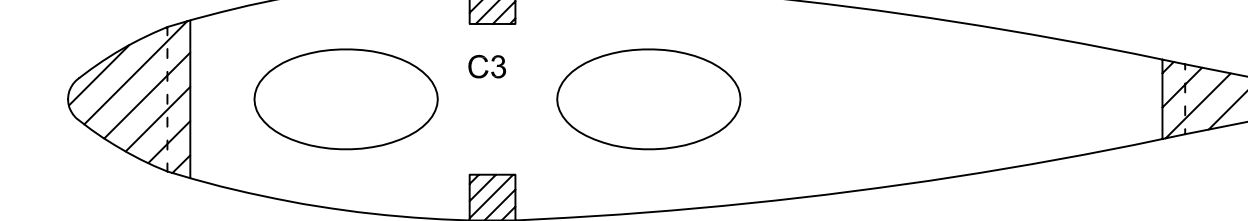
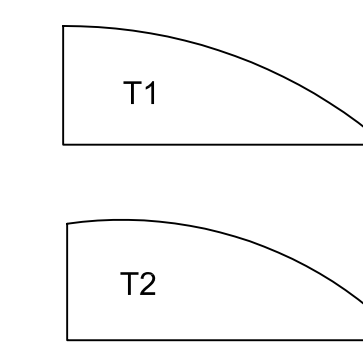
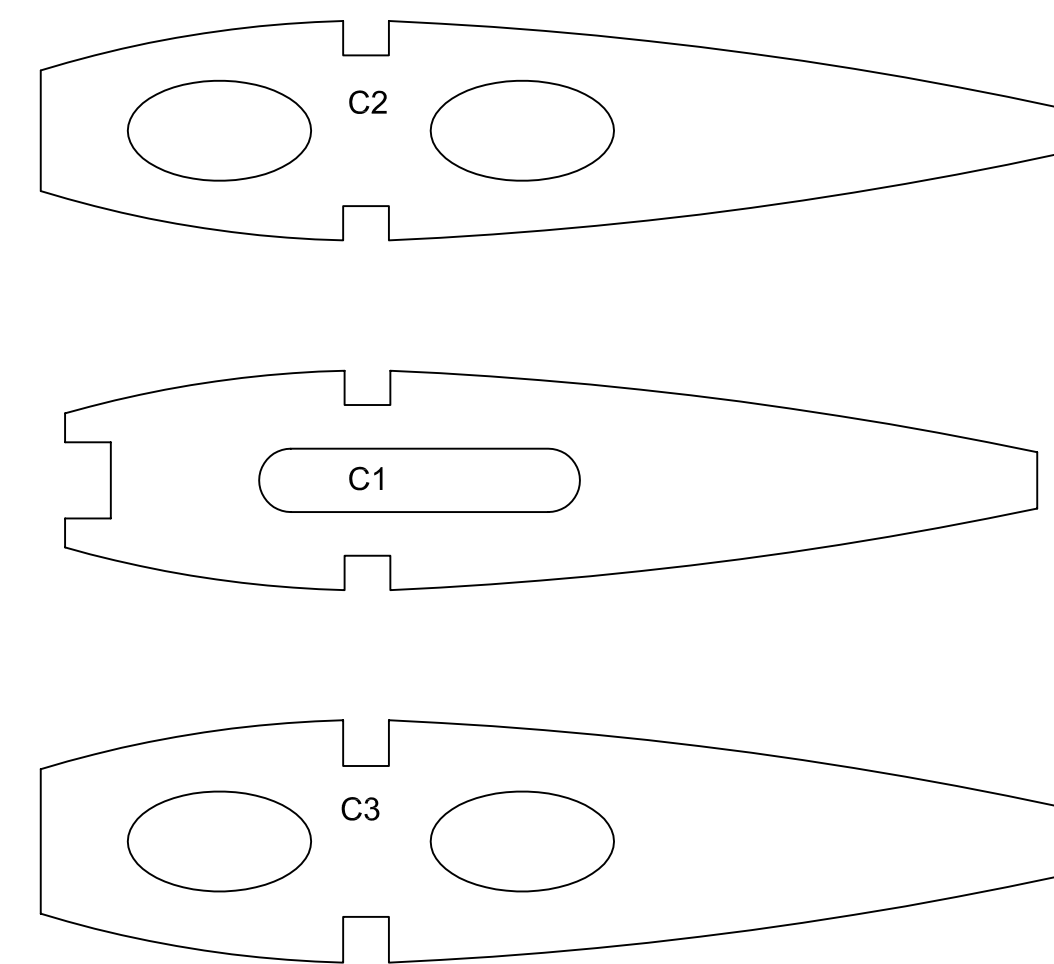
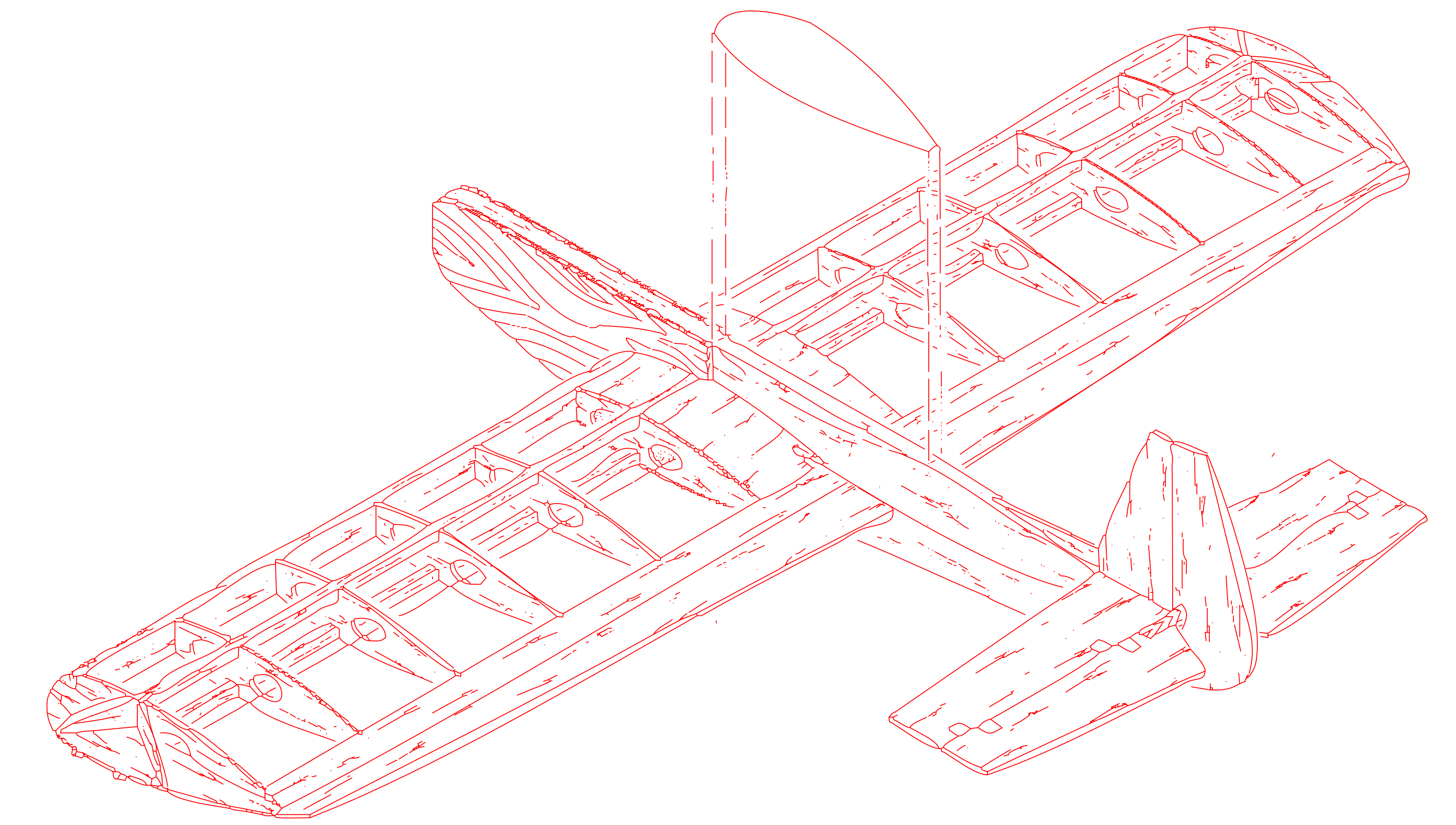


COSTILLAS EN Balsa DE 2 mm.



MOTOR	CILINDRADA (pul. cub)	BANCADA
O.S.	0.1	23mm.
O.S.	0.15	25mm.
O.S.	0.20	29mm.
ENYA	0.09	24mm.
ENYA	0.15	26mm.
ENYA	0.19	26mm.



AKROMASTER

ENVERGADURA: 863 mm.

MOTOR: 0.15